

**PARTS LIST FOR 270A, 270A-2, & 270A-4
SIOUX RIVET HAMMERS
(SERIAL D)**

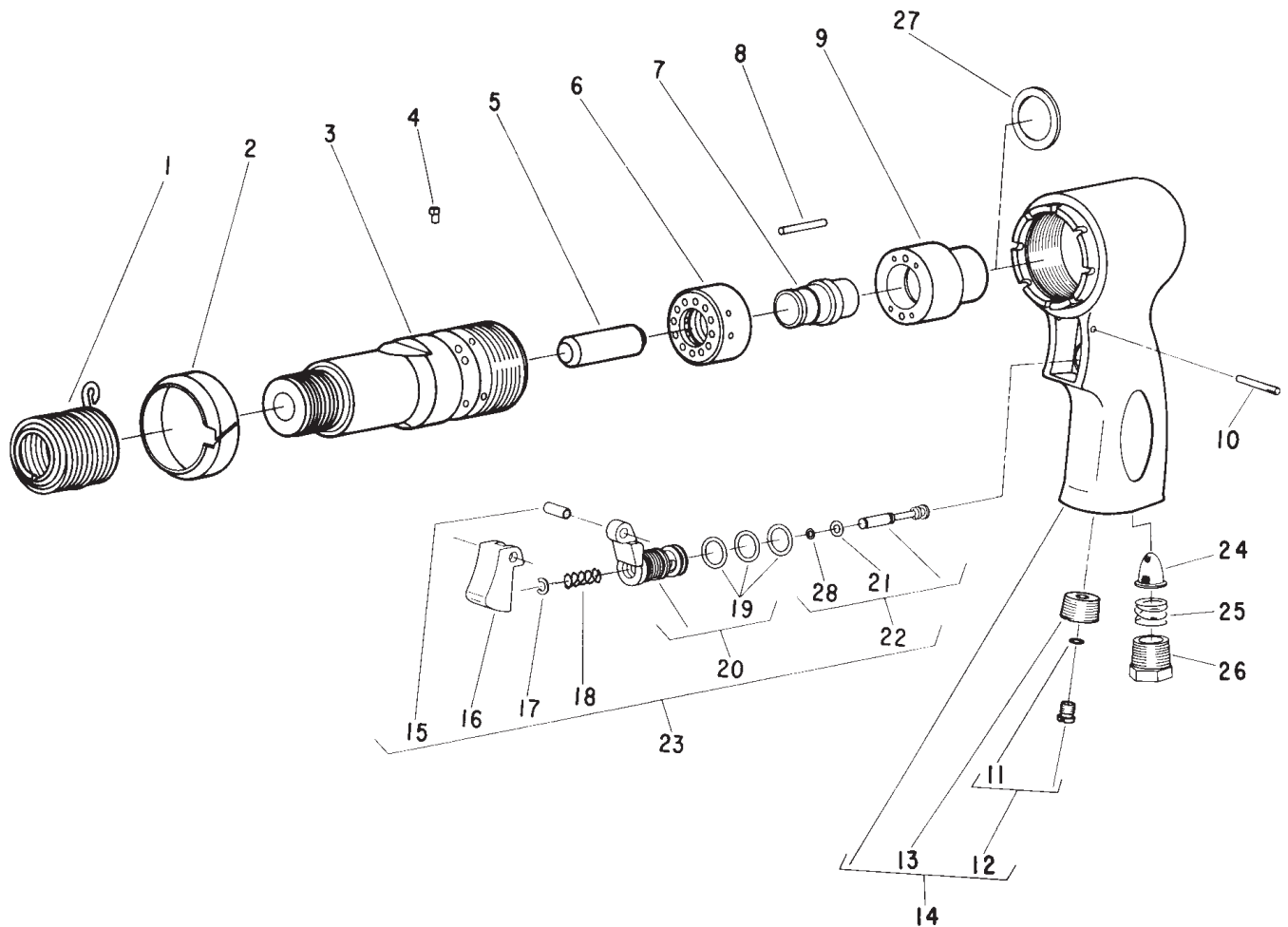


Fig. No.	Part No.	Name
1.	2207	Spring
2.	30385	Deflector—Exhaust
3.	30384	Barrel 270A
	65211	Barrel 270A-2
	65212	Barrel 270A-4
4.	30391	Pin—Barrel Lock
5.	30386	Plunger 270A, 270A-4
	65210	Plunger 270A-2
6.	65925	Cylinder—Front air
7.	65927	Sleeve—Cylinder
8.	30347	Pin—Cylinder Lock
9.	65926	Cylinder—Back Air
10.	30613	Pin
11.	14369	Ring—“O”
12.	44253	Oiler Screw
13.	44755	Insert—Oiler
14.	65368	Ass’y—Handle
	65931A	Ass’y—Handle complete (Includes Figs 10-28)

Fig. No.	Part No.	Name
15.	44754	Bushing
16.	53182	Trigger
17.	21542	Retainer Ring
18.	69504	Spring
19.	14312	Ring—“O” (3)*
20.	53258	Ass’y—Valve Body
21.	66148	Ring—“O”
22.	65928	Ass’y—Valve
23.	SP65930H	Ass’y—Teasing Throttle Valve
24.	33993	Screen—Air
25.	21417	Spring
26.	44100	Bushing—Reducing
27.	35116	Washer
28.	14349	Ring—“O”

*Order Quantity As Required

**FURNISH CATALOG, SERIAL, AND MODEL NUMBER WHEN
ORDERING PARTS**